

COTSWOLD ECO TUBS

RELAX, REPLENISH, REVIVE

User Guide

Please take the time to read the following manual prior to installation or use

PREPARATION FOR USE

- 1 Position your Eco Tub on its pallet in the location you intend for it to be used.
- 2 Remove the sections of flue from the underside of the Eco Tub (as seen in Fig. 2).
- 3 Unscrew the pallet batons that connect the pallet to the Eco Tub for transport (as seen in Fig. 3 – where applicable).
- 4 Fit a standard 13amp plug and uncoil the wire – ensuring that this is done to the plug manufacturer's instructions.
- 5 Undertake a quick visual inspection to ensure that the electrical sockets are in place following transport – we recommend plugging your tub in at this point and pressing both the LED light & Bubble buttons (located on the side of the tub) to ensure that they are both working. The LED lights can be seen working from the underside of the tub and you will be able to hear the Bubble System.
- 6 After unplugging the tub following the inspection, gently lie the Eco Tub down (you may need assistance for this). Ensure that the surface is flat – see (Fig. 4 & 5).
- 7 Carefully slide out the pallet.
- 8 Carefully unpackage the Eco Tub – if using a knife, take particular care to not scratch the exterior or fibreglass of the Eco Tub.
- 9 If your Eco Tub comes with a fibreglass lid, remove this now & place it in a location where it will not be damaged – take care when removing the lid to lift and not drag. Dragging the lid off can damage the fibreglass
- 10 Remove the 90 degree boiler pipe which is located in the wood burner.
- 11 Be sure to remove all packaging from inside the wood burner.
- 12 Attach the 90 degree chimney section to the outlet located by the wood burner – this is manufactured to low tolerance so occasionally lubrication is required using a small amount of washing up liquid.

Fig. 1
Carefully remove plastic wrap

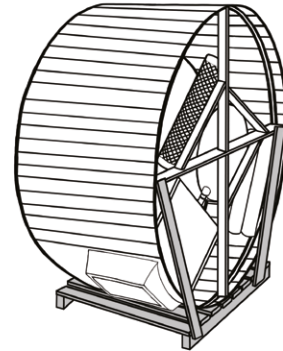


Fig. 2
Take components out

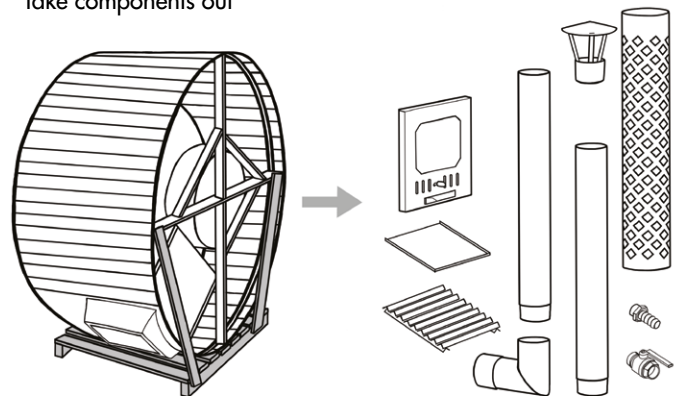
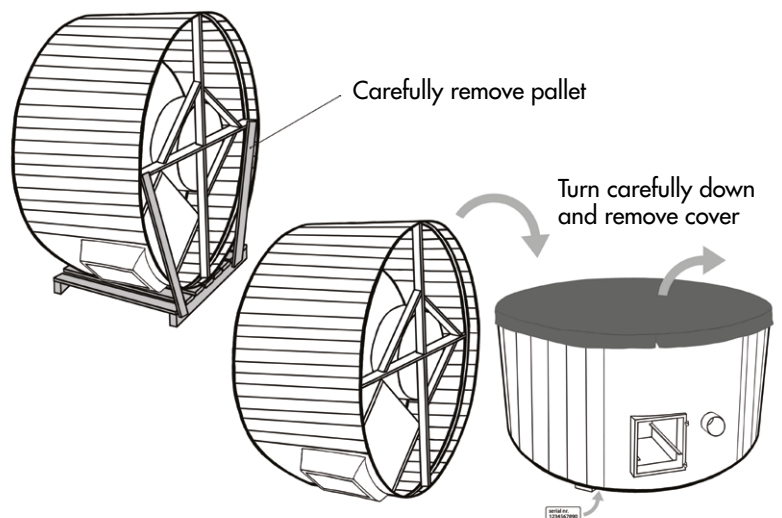


Fig. 3



All drawings are for illustrative purposes only,
your product may vary

- 13 Tighten the two retaining bolts underneath the 90 degree flue section and ensure it is in a vertical position (see Fig. 5)
- 14 Remove the protection film from the 1st section of flue and place onto the 90 degree flue section. Tip: The use of a hairdryer or placing the sections in an airing cupboard will warm up the protective film – making peeling easier! (See Fig. 5)
- 15 Remove protective film from the heat guard and carefully place over the previously attached 1st section of flue – removing this film is sometimes easier when warm. There are locating tabs around the top and the bottom of the heat guard that hold it in place on the flue. As above, heat makes the protective film easier to remove! (See Fig. 5)
- 16 Remove the protective film for the 2nd section of flue (the one with the rain guard attached) and place on top of the 1st section of flue (see Fig.5).
- 17 Place the grate & ash collecting tray in the boiler (see Fig. 5).
- 18 Attach the boiler door (see Fig. 6).
- 19 Open the drainage tap (located at the bottom of the boiler).
- 20 Thoroughly rinse the Eco Tub to ensure that any fibreglass residue is removed.
- 21 Close the tap completely prior to filling.
- 22 Fill your Eco Tub to a maximum of 15cm from the top – if you are adding any chemicals or chlorine ensure this is done throughout the filling process.
- 23 Your Eco Tub comes with a drinks holder – this is simply screwed anywhere around the tub (except where the boiler is located).
- 24 Position the steps where access is unimpeded.
- 25 Your Eco Tub is now ready for lighting – replace the lid to decrease heat up times!
- 26 Plug your Eco Tub back in to allow power supply to the LED lights & Bubble System!

Fig. 4
Level hot tub

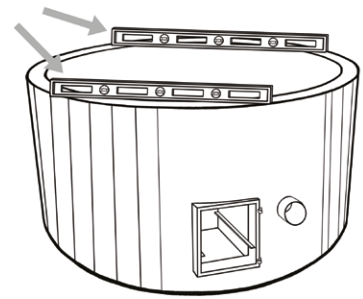


Fig. 5
Use waterlevel

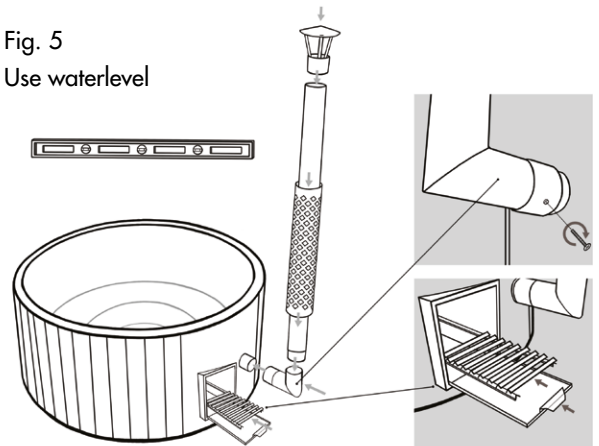
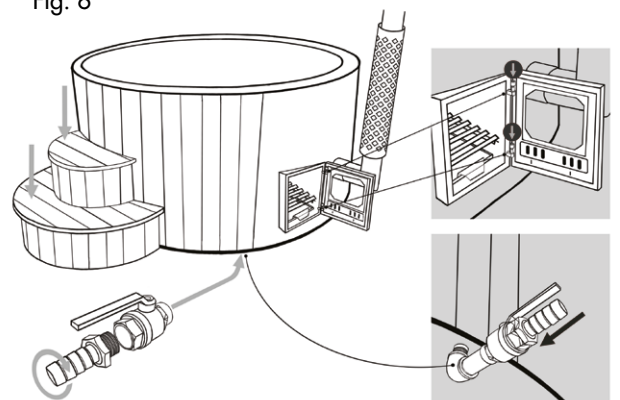


Fig. 6



GLYME & EXTERNAL BOILER MODELS – PREPARATION FOR USE

Please follow the given instructions and once you have followed to Step 9, connect your external boiler.

To connect your boiler, please connect the top rubber pipe to the top outlet of the boiler & the bottom rubber pipe to the lower inlet of the boiler.

Please ensure that the jubilee clips are tightened sufficiently to avoid leaking.

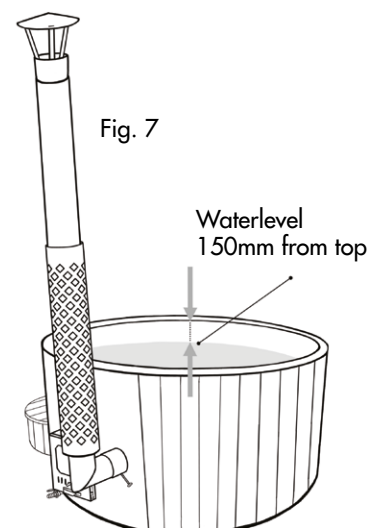
Now place the 2 sections of chimney onto the top of the boiler. The top section should be the piece with the rain cowl on top!

Follow the remaining instructions from Step 17 onwards.

NOTE: It is normal for the boiler to lean forwards slightly. This is designed to optimise the heat inside the boiler rising to the heating element at the back of the boiler.

ADDITIONAL SAFETY INSTRUCTIONS: The external surface of the boiler will remain hot for some time so be aware of the possibility of burn risk.

Fig. 7



USER MANUAL

Our Eco Tubs have been designed to be as simple as possible. However, for safety reasons we ask that you take the time to read this short manual prior to use of your new tub.

Thank you again for purchasing with us. Please don't forget to write us a review!

IMPORTANT SAFETY INSTRUCTIONS

- 1 The stove door will be very hot during use – do not touch it.
- 2 The flue and flue elbow will also be very hot – ensure supervision of children and use the flue-guard at all times.
- 3 Never burn coal in the stove – use dry or kiln-dried logs. Sub 15% moisture is ideal! The use of coal or smokeless fuels will void the warranty for your tub.
- 4 You should **NOT** use a hot tub if you are pregnant, very young, under the influence of alcohol, drugs or any medical conditions – please consult your doctor.
- 5 Keep the lid on when not in use & move steps to minimum the risk of children or animals falling in.
- 6 Do **NOT** ignite the stove until the water level is above both water inlets (around 2/3 way up the tub). Doing so could melt the fibreglass or other components and will void your warranty.
- 7 During freezing conditions, it is recommended to drain your Eco Tub when not in use due to the risk of expanding ice causing damage.
- 8 For your own safety, bathing alone isn't recommended.
- 9 If temperatures get too hot you can add some cold water into your Eco tub – **IF YOU FIND YOUR ECO TUB IS TOO HOT – GET OUT.**
- 10 It is recommended to only use a hot tub for short periods initially. If you become dizzy you should get out immediately.
- 11 Do not empty the water until the fire – and heat – are completely out. This will damage your fibreglass tub. Doing so will void your warranty.

POSITIONING YOUR ECO TUB

Do not place your Eco Tub near anything flammable!

A hot tub is usually around 200kgs, and significantly heavier when filled your first consideration is going to be on the ground you set up on. Preferable to ground, having a concrete pad already constructed and measure would be ideal. It should also be noted that due to this heavy weight you shouldn't under any circumstance attempt to move the hot tub by yourself. In most cases a level stable base either the gravel or paving slabs is fine but please note the tub will weigh around 2 tonnes once full of water and people. Strong well-built surfaces such as decking are also suitable.

Aside from the ground itself or pad, you will want to assure your site has easy access to water to make filling the hot tub less of a chore. You will also want to avoid areas that create a downdraft;

If you place your Eco Tub too near buildings, or trees will cause some interference with the chimney. You can always check with a stoves specialist or your supplying dealer that may be able to help you with this.

NOTE: If you continue to burn in the stove; you are going to continue to heat up your water. While this seems straightforward it does carry a risk at severely burning occupants, as well as damaging the equipment. Assess whether the tub is getting too hot for your liking and stop adding wood to the stove once it has. The boiler/firebox will also have an air circulation control on the door which would then need to be shut. Your target temperature should not exceed 42C degrees.

MAINTENANCE

Wood fired Hot Tubs don't require as much maintenance as electrical ones. Clearing ash from the stove before each use is necessary; as well you should periodically disconnect the chimney (It is modular) and clean any built up soot. Soot should also be removed from the stove if it builds up. If this isn't something that you're comfortable with you can always contact a stove specialist if necessary. Ideally you should change the water in your hot tub after every use; however you can use it several times across a couple of days, this is more to personal taste. The use of Active Silver Oxy will assist with this. Half a sachet is required per fill of water.

The tub's exterior is already treated properly with oils meant to protect it from UV damage; waterproofing and it will resist fading. We recommend to apply some wood treatment at least once a year. However, over the life of your tub it will begin to silver; you can continue to maintain it with oils to keep up the appearance, but you should not use a pressure washer from too close as it can damage the wood. If you don't re oil the wood, it will simply age naturally. Your Eco Tub can, of course, be painted or stained to update its appearance – much in the way you would your garden fences! Good maintenance of your tub will help its lifespan.

GENERAL INFORMATION ON HOW TO USE HOT TUBS

HOT TUB HEATING

IMPORTANT – the fiberglass hot tub heaters heating temperature can't go higher than +55C° as higher temperatures can damage the fiberglass gel coating (will start blistering). Once the hot tub is fired up, you can turn the bubbles on periodically to help the heat circulate evenly within the water.

When the hot tub is filled up with water (15cm from the top of the hot tub edge), you can fire up the heater. The best way to fire up the hot tub is start with kindling and paper (fire lighters (tablets) can be used). When the flame is getting bigger you can add bigger pieces of wood. It is recommended to use kiln dry wood with sub 15% moisture. Fire intensity can be adjusted with the vent located on the boiler/firebox which regulates the air intake into the burning chamber.

IMPORTANT – do not load more than 2 thirds of wood of the height of the heater. **IMPORTANT** – if the hot tub is not filled up to the right level, you can't light the heater, because the emitted heat will damage the tub and the heater.

IMPORTANT – water from the hot tub can be drained only when the heater is completely cooled down. Otherwise, the heat will damage the hot tub and the heater itself.

IMPORTANT – DO NOT allow the tub to overflow. This can lead to problems with the Bubble System. Allowing your tub to overflow will void your warranty.

IMPORTANT – DO NOT tighten the Air Bubble Valve Caps. This can lead to back pressure within the air pump which can cause overheating. This can cause the pump to switch off to allow time to cool.

NOTE – You may see some dripping coming from under the firebox/boiler onto the ground. This is just the condensate valve and is removing moisture from the boiler. The water dripping is minimal but does appear more on some surfaces. You can check it's the condensate valve by putting your hand where the drip is coming from and feeling for the little outlet. This is entirely normal & essential – your tub isn't leaking, don't panic!

Contact us

If you have any queries, please don't hesitate to contact us

call: 0333 242 3363

email: hello@cotswoldecotubs.co.uk

www.cotswoldecotubs.co.uk

Alternatively, contact your stocking dealer